



DESCRIPTION

Be compatible with 19-inch equipment rack, cabinets, and wall mount shelf, suitable for interaction and termination of horizontal cabling between devices, equipment and centralized points.

APPLICATION

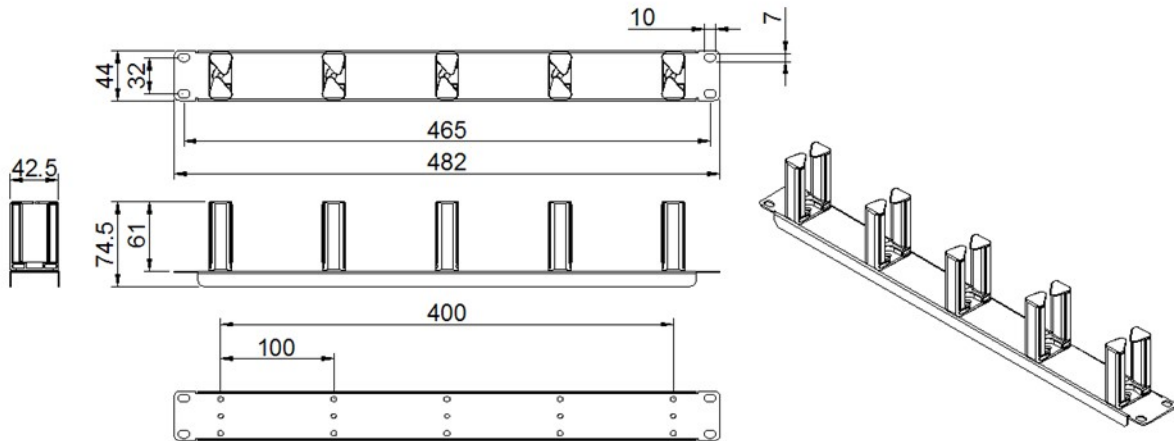
- Made of high quality ABS plastic to avoid scratching, with detachable surface faceplate design
- Unique exterior design, simple, compact and beautiful
- Accomplish a clean and beautiful cabling system with simple, flexible, effective, convenient and safe feature
- Black appearance enables its combination of any other equipment in data center

Ningbo Doppler Communication Co., Ltd.

NO.19, BINHAISAN ROAD, HANGZHOU BAY NEW ZONE, NINGBO,ZHEJIANG PROVINCE,CHINA.315336

Ningbo Doppler Communication Co. Ltd. reserves the right to change specifications without prior notice

PRODUCT DIMENSION



ORDER INFORMATION

Part No.	Description	Color	Inner Box	Carton	Carton measurement (L*W*H)	Weight
LMD108	Single recessed cable management	Black	1PCS	20PCS	61CM*53CM*22CM	10KG

Ningbo Doppler Communication Co., Ltd.

NO.19, BINHAISAN ROAD, HANGZHOU BAY NEW ZONE, NINGBO, ZHEJIANG PROVINCE, CHINA. 315336

Ningbo Doppler Communication Co. Ltd. reserves the right to change specifications without prior notice