

### **DESCRIPTION**

Be compatible with 19-inch equipment rack, cabinets, and wall mount shelf, suitable for interaction and termination of horizontal cabling between devices, equipment and centralized points.

### **APPLICATION**

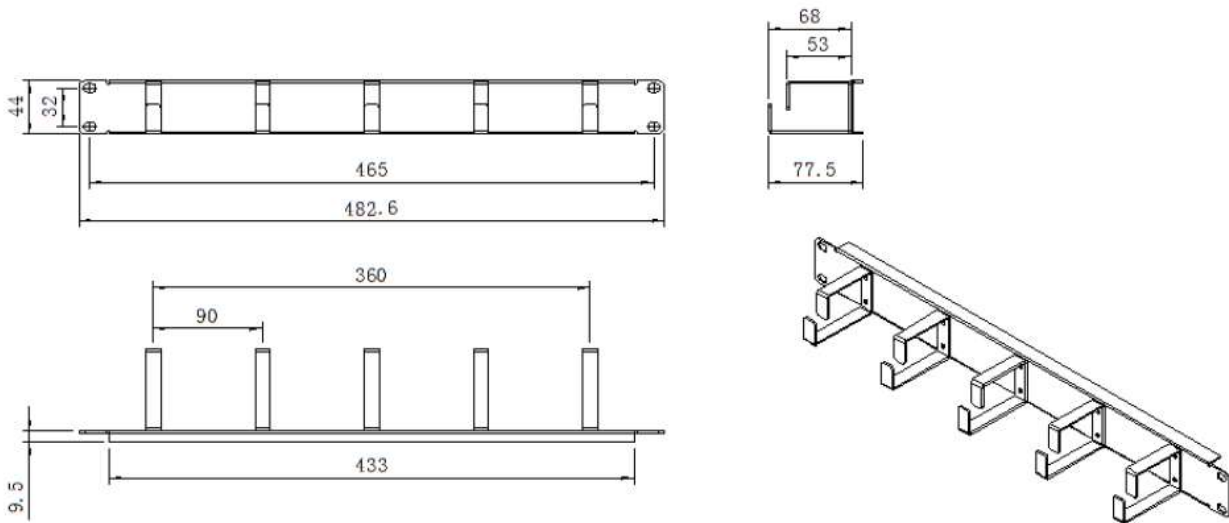
- Unique exterior design, simple, compact and beautiful
- Accomplish a clean and beautiful cabling system with simple, flexible, effective, convenient and safe feature
- Black appearance enables its combination of any other equipment in data center

**Ningbo Doppler Communication Co., Ltd.**

NO.19, BINHAISAN ROAD, HANGZHOU BAY NEW ZONE, NINGBO,ZHEJIANG PROVINCE,CHINA.315336

*Ningbo Doppler Communication Co. Ltd. reserves the right to change specifications without prior notice*

## PRODUCT DIMENSION



## ORDER INFORMATION

Part No.	Description	Color	Inner Box	Carton	Carton measurement (L*W*H)	Weight
LMD106	Back panel cable management 1U	Black	1PCS	10PCS	53CM*31CM*23CM	3.8KG

**Ningbo Doppler Communication Co., Ltd.**

NO.19, BINHAISAN ROAD, HANGZHOU BAY NEW ZONE, NINGBO, ZHEJIANG PROVINCE, CHINA. 315336

*Ningbo Doppler Communication Co. Ltd. reserves the right to change specifications without prior notice*