

DESCRIPTION

This series keystone jacks work together with high speed cables, cords and panels to provide performance beyond proposed Category 6A standards, a new feature of this series jack is a universal colored wiring label that eliminates the need for separate codes for T568A/B wiring scheme.

APPLICATION

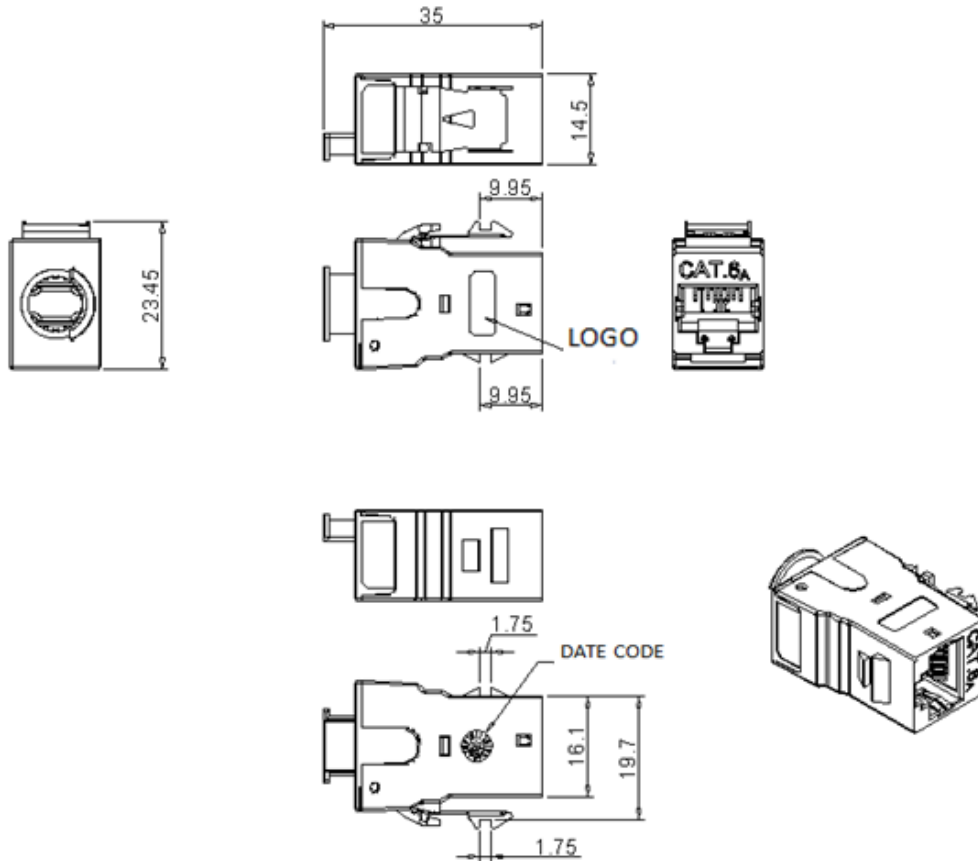
- Available in Cat6A, T568A/B wiring, meet or exceed TIA/EIA Cat6A requirements
- Overall zinc alloy shielding design meets the industry standards
- Compact jack design, 8 positions and 8 conductors
- Contact : phosphor bronze , phosphor bronze with 15 μ " ,30 μ " or 50 μ " gold plate can be selected
- Accept 23-24 AWG wires
- Easy to be terminated, low attenuation loss and high return loss
- High reliability and superior performance
- With backward compatibility of CAT 6 and lower classes

Ningbo Doppler Communication Co ., Ltd.

No. 19, 3rd Binhai Road, Hangzhou Bay New Zone, Ningbo City, Zhejiang Province, CHINA.

Ningbo Doppler Communication Co. Ltd. reserves the right to change specifications without prior notice

PRODUCT DIMENSION



CONSTRUCTION

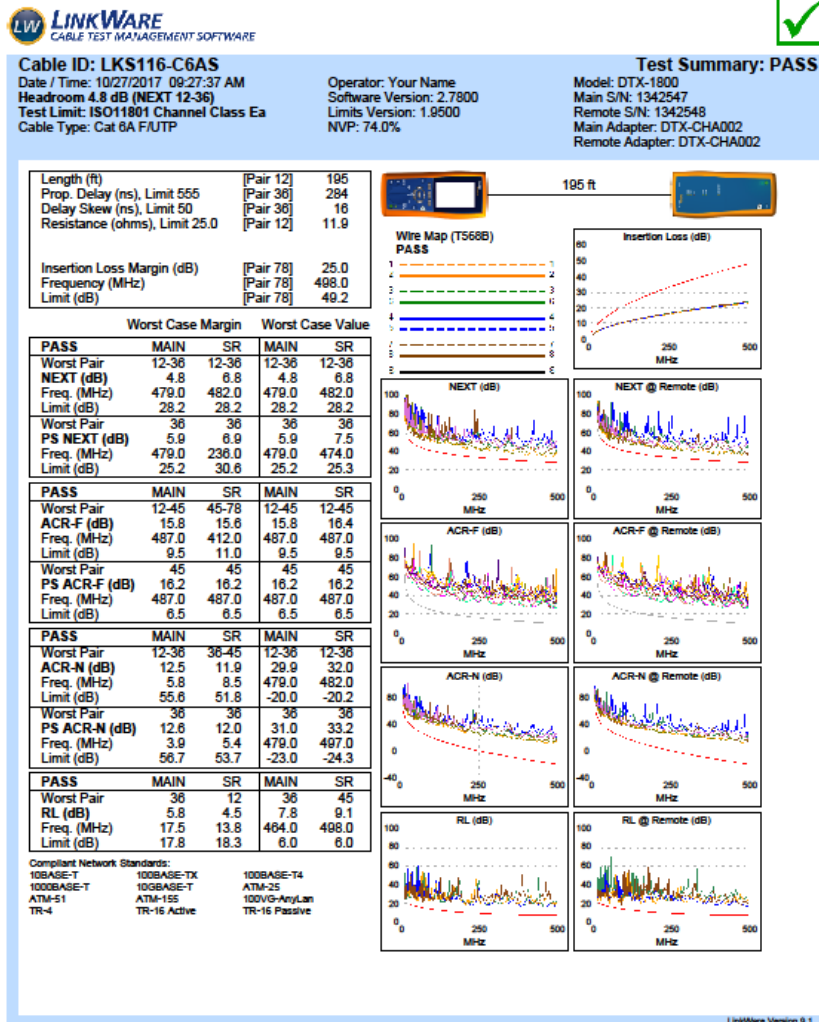
<i>Description</i>	<i>Parameter</i>
Contact resistance(max)	20mΩ
Insulation resistance(min)	500MΩ
Return loss(dB)	5.7dB

Ningbo Doppler Communication Co., Ltd.

No. 19, 3rd Binhai Road, Hangzhou Bay New Zone, Ningbo City, Zhejiang Province, CHINA.

Ningbo Doppler Communication Co. Ltd. reserves the right to change specifications without prior notice

PERFORMANCE



Project: DEFAULT
10000000.flw

Site: Client Name



ORDER INFORMATION

Part No.	Description	Color	Inner Box	Carton	Carton measurement (L*W*H)	Weight
-KS116- C6AS	Cat6A shielded keystone jacks (180 degree)	Sliver	25PCS	250PCS	53.5cmx 31.3cm x 23.4cm	9.20KG

Ningbo Doppler Communication Co., Ltd.

No. 19, 3rd Binhai Road, Hangzhou Bay New Zone, Ningbo City, Zhejiang Province, CHINA.

Ningbo Doppler Communication Co. Ltd. reserves the right to change specifications without prior notice