



DESCRIPTION

CAT6A performance requirements, comply with 10 Gigabit Ethernet application system, suitable for connection between FD to the outlet of the work area, providing up to 550MHz available bandwidth

APPLICATION

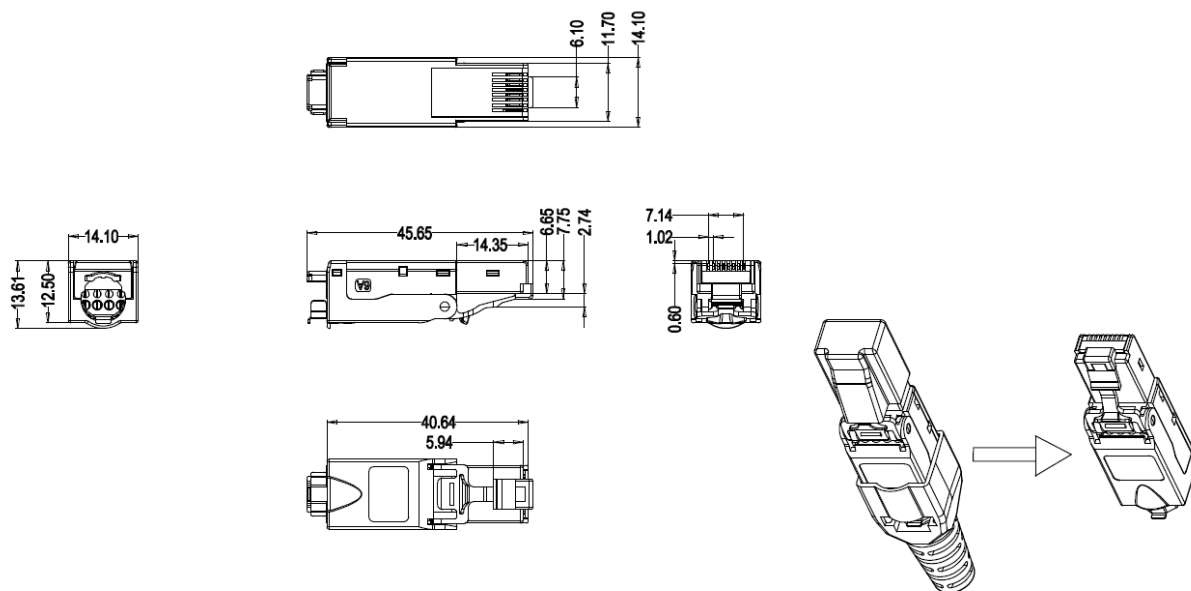
- Unique exterior design, compact
- Comply with ergonomic principle and with termination-free design
- Unique PCB circuit board design reduces EMI/RFI interference, low attenuation loss and high return loss
- Overall zinc alloy shielding design meets the industry standards
- Meet the requirements of both T568A/T568B with clear color labels
- Solid and corrosion phosphor bronze IDC enables over 250 terminations
- Accept 23-24AWG wires, phosphor bronze contact with 50 μ" gold plate can be selected, with a durability of 1000 matching recycles
- Easy installation with clear colored labels on termination cap
- Termination caps prevent wire from dropping off
- With backward compatibility of CAT 6 and lower classes

Ningbo Doppler Communication Co., Ltd.

No. 19, 3rd Binhai Road, Hangzhou Bay New Zone, Ningbo City, Zhejiang Province, CHINA.

Ningbo Doppler Communication Co. Ltd. reserves the right to change specifications without prior notice

PRODUCT DIMENSION



CONSTRUCTION

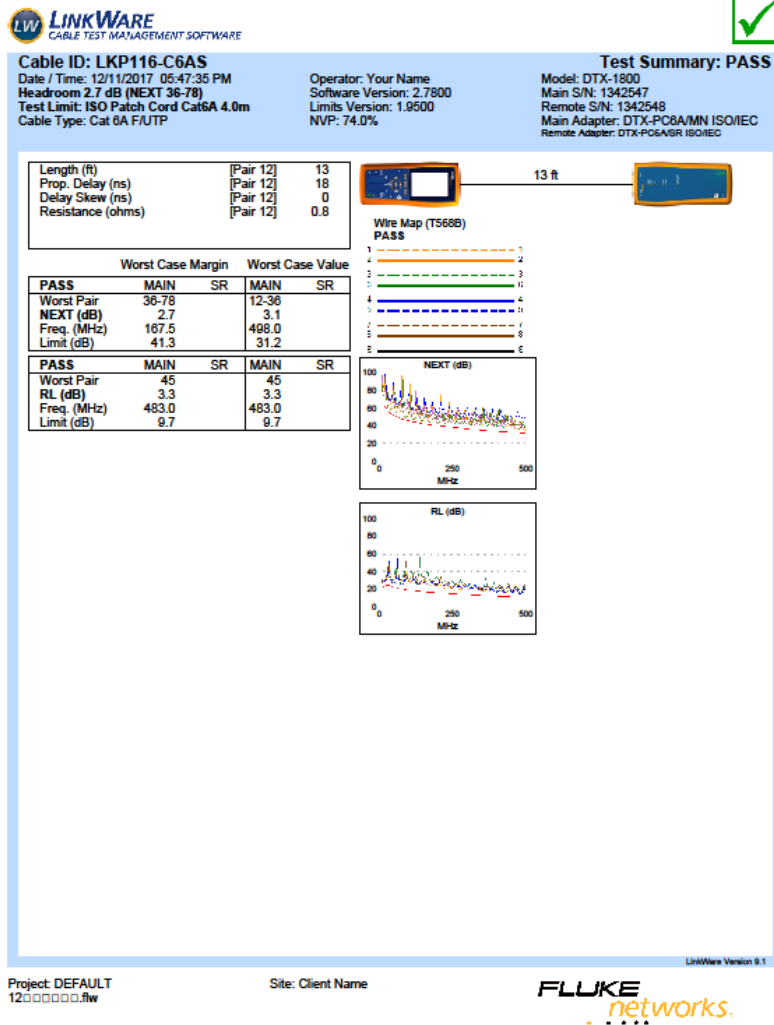
<i>Description</i>	<i>Parameter</i>
Contact resistance(max)	20mΩ
Insulation resistance(min)	500MΩ
Return loss(dB)	5.9dB

Ningbo Doppler Communication Co., Ltd.

No. 19, 3rd Binhai Road, Hangzhou Bay New Zone, Ningbo City, Zhejiang Province, CHINA.

Ningbo Doppler Communication Co. Ltd. reserves the right to change specifications without prior notice

PERFORMANCE



ORDER INFORMATION

Part No.	Description	Color	Inner Box	Carton	Carton measurement (L*W*H)	Weight
LKP116-C6AS	Cat6A Shielded Field Plug	Metallic	1PCS	250PCS	53.5cm×29.5cm×26.5cm	10.5KG

Ningbo Doppler Communication Co., Ltd.

No. 19, 3rd Binhai Road, Hangzhou Bay New Zone, Ningbo City, Zhejiang Province, CHINA.

Ningbo Doppler Communication Co. Ltd. reserves the right to change specifications without prior notice