

## **DESCRIPTION**

Category 6 shielded inline coupler exceeds the performance requirements of Category 6 components and is compliant with Gigabit Ethernet applications, providing up to 250 MHz of usable bandwidth for extended lineage without undue cost. In addition, the closed line can be reactivated and can be extended to the next desired connection. Therefore, the narrow space in the cable duct is optimally utilized. The installer can simply screw the expansion module into the end of the pipe installed on the pipe or wall. After the installation is complete, the lines extending in this way can be used for the maximum link length.

## **APPLICATION**

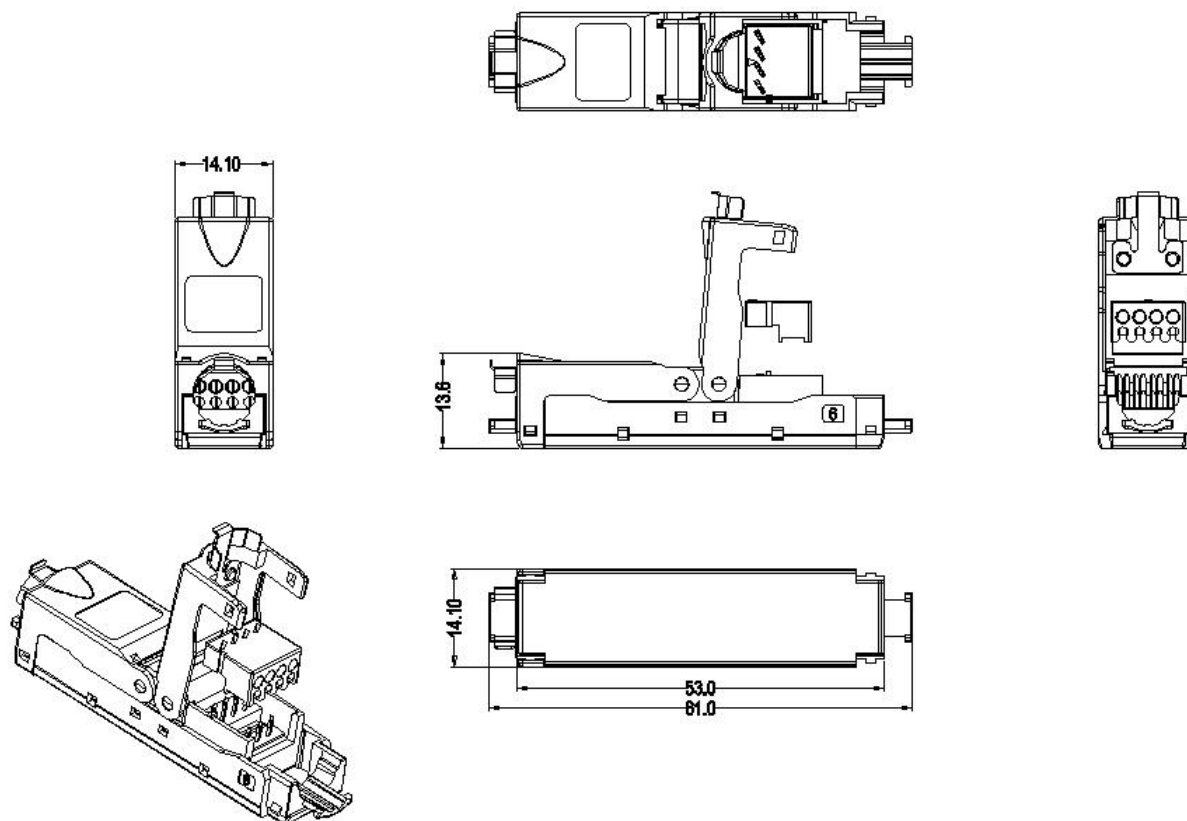
- Independent design, simple and beautiful and compact
- Unique PCB design, reduce interference, high margin
- The terminal housing material is made of zinc alloy material.
- System with backward compatibility with CAT6 and lower categories

**Ningbo Doppler Communication Co., Ltd.**

**No.86 Fengyi Road, Economic Development Zone, Yuyao Zhejiang 315400**

*Ningbo Doppler Communication Co. Ltd. reserves the right to change specifications without prior notice*

## PRODUCT DIMENSION



## CONSTRUCTION

Description	Parameter
Contact resistance(max)	20mΩ
Insulation resistance(min)	500MΩ
Return loss(dB)	8.1dB

Ningbo Doppler Communication Co., Ltd.

No.86 Fengyi Road, Economic Development Zone, Yuyao Zhejiang 315400

Ningbo Doppler Communication Co. Ltd. reserves the right to change specifications without prior notice

## PERFORMANCE



**Cable ID: LKE119-C6S**  
 Date / Time: 10/17/2018 01:49:19 PM  
 Headroom **4.6 dB (NEXT 36-45)**  
 Test Limit: **ISO11801 PL Class E**  
 Cable Type: Cat 6 F/UTP  
 NVP: 70.0%

**Test Summary: PASS**  
 Model: DSX-8000  
 Main S/N: 1820424  
 Remote S/N: 1820428  
 Main Adapter: DSX-PLA804  
 Remote Adapter: DSX-PLA804

Length (ft), Limit 295	[Pair 12]	1
Prop. Delay (ns), Limit 498	[Pair 12]	2
Delay Skew (ns), Limit 44	[Pair 12]	0
Resistance (ohms), Limit 21.00	[Pair 36]	2.16
Insertion Loss Margin (dB)	[Pair 36]	29.5
Frequency (MHz)	[Pair 36]	250.0
Limit (dB)	[Pair 36]	30.7

	Worst Case Margin		Worst Case Value	
N/A	MAIN	SR	MAIN	SR
Worst Pair	36-45	36-45	45-78	45-78
NEXT (dB)	4.6	5.9	8.9	8.3
Freq. (MHz)	86.5	57.3	250.0	244.5
Limit (dB)	42.9	45.8	35.3	35.5
Worst Pair	45	45	45	45
PS NEXT (dB)	4.9	5.6	8.2	8.1
Freq. (MHz)	102.0	144.5	250.0	244.5
Limit (dB)	39.2	36.7	32.7	32.9

	Worst Case Margin		Worst Case Value	
PASS	MAIN	SR	MAIN	SR
Worst Pair	78-36	36-78	36-45	45-36
ACR-F (dB)	12.5	12.5	16.2	16.1
Freq. (MHz)	2.4	2.4	250.0	250.0
Limit (dB)	56.7	56.7	16.2	16.2
Worst Pair	36	36	36	36
PS ACR-F (dB)	12.9	12.7	16.8	16.8
Freq. (MHz)	2.0	1.6	250.0	250.0
Limit (dB)	55.2	57.0	13.2	13.2

	Worst Case Margin		Worst Case Value	
N/A	MAIN	SR	MAIN	SR
Worst Pair	36-45	36-78	45-78	45-78
ACR-N (dB)	13.5	14.3	38.3	38.0
Freq. (MHz)	5.0	3.5	250.0	250.0
Limit (dB)	58.6	61.0	4.7	4.7
Worst Pair	45	78	45	45
PS ACR-N (dB)	12.9	14.6	37.8	37.3
Freq. (MHz)	5.0	5.0	250.0	244.5
Limit (dB)	56.3	56.3	2.0	2.6

	Worst Case Margin		Worst Case Value	
N/A	MAIN	SR	MAIN	SR
Worst Pair	45	45	45	45
RL (dB)	8.1	8.1	8.1	9.9
Freq. (MHz)	250.0	41.0	250.0	250.0
Limit (dB)	10.0	17.9	10.0	10.0

Compliant Network Standards:

10BASE-T	100BASE-TX	100BASE-T4
1000BASE-T	2.5GBASE-T	5GBASE-T
ATM-25	ATM-51	ATM-155
100VG-AnyLan	TR-4	TR-16 Active
TR-16 Passive		

LinkWare™ PC Version 9.9

Project: DEFAULT

YP.ftw



## ORDER INFORMATION

Part No.	Description	Color	Inner Box	Carton	Carton measurement (L*W*H)	Weight
LKE119-C6S	Cat6 FTP Inline Coupler	Sliver	25PCS	250PCS	53cm× 31cm × 23cm	7.50KG

Ningbo Doppler Communication Co., Ltd.

No.86 Fengyi Road, Economic Development Zone, Yuyao Zhejiang 315400

Ningbo Doppler Communication Co. Ltd. reserves the right to change specifications without prior notice