



DESCRIPTION

Category 6 unshielded inline coupler exceeds the performance requirements of all CAT6's components, conforms to the Gigabit Ethernet application system, and is suitable for communication socket connection between equipment and work area, and can provide up to 250MHz of available bandwidth.

APPLICATION

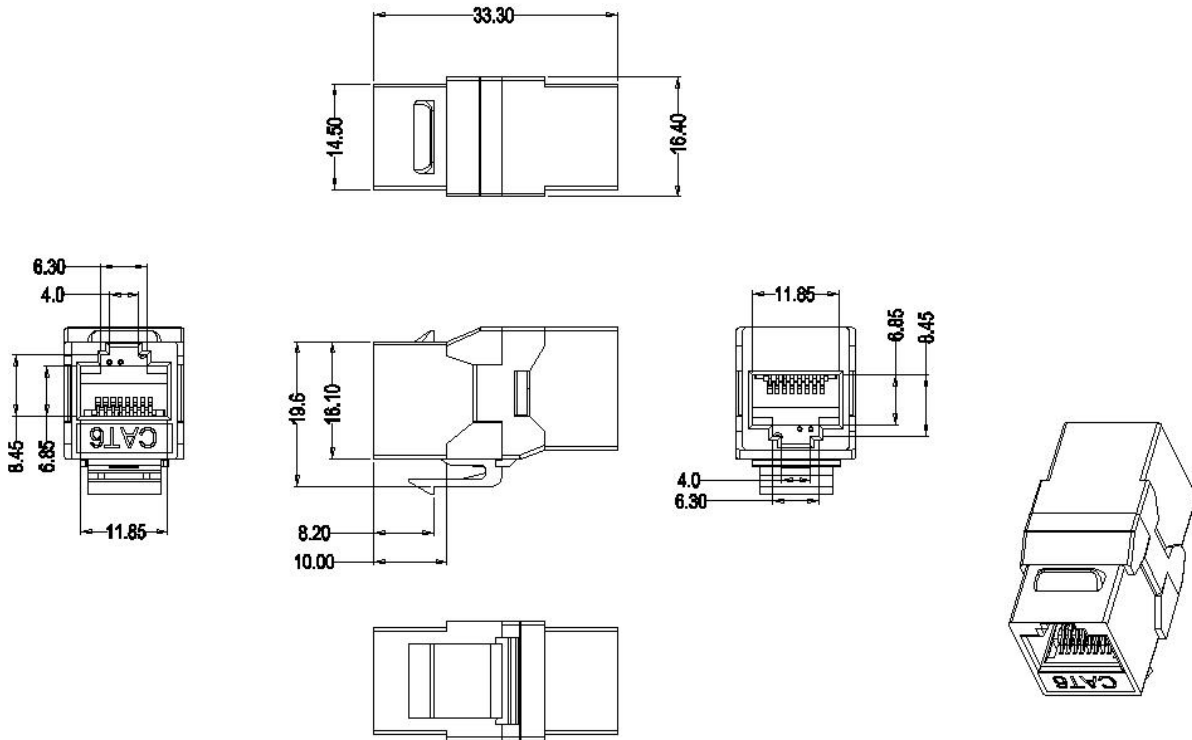
- Independent design, simple and beautiful and compact
- Unique PCB design, reduce interference, high margin
- End interface housing material is made of high strength PC material
- 50 μ " gold-plated layer with contact pin contact material for 1500 insertions
- System with backward compatibility with CAT5E and lower categories

Ningbo Doppler Communication Co., Ltd.

No.86 Fengyi Road, Economic Development Zone, Yuyao Zhejiang 315400

Ningbo Doppler Communication Co. Ltd. reserves the right to change specifications without prior notice

PRODUCT DIMENSION



CONSTRUCTION

<i>Description</i>	<i>Parameter</i>
Contact resistance(max)	20mΩ
Insulation resistance(min)	500MΩ
Return loss(dB)	10.9dB

Ningbo Doppler Communication Co., Ltd.

No.86 Fengyi Road, Economic Development Zone, Yuyao Zhejiang 315400

Ningbo Doppler Communication Co. Ltd. reserves the right to change specifications without prior notice

PERFORMANCE

Cable ID: LKE118-C6U-A		Test Summary: PASS	
Date / Time: 08/08/2018 03:34:34 PM		Software Version: V5.5 Build 2	
Headroom 8.8 dB (NEXT 12-45)		Limits Version: V6.3	
Test Limit: ISO11801 PL Class E		Calibration Start Date:	
Cable Type: Cat 6 U/UTP		Main (Module): 06/27/2018	
NVP: 69.0%		Remote (Module): 06/27/2018	
Model: DSX-8000		Main S/N: 1820424	
Main Adapter: DSX-PLA804		Remote Adapter: DSX-PLA804	

Length (ft), Limit 295	[Pair 12]	1
Prop. Delay (ns), Limit 498	[Pair 12]	2
Delay Skew (ns), Limit 44	[Pair 12]	0
Resistance (ohms), Limit 21.00	[Pair 45]	0.23
Insertion Loss Margin (dB)	[Pair 36]	30.2
Frequency (MHz)	[Pair 36]	250.0
Limit (dB)	[Pair 36]	30.7

Worst Case Margin		Worst Case Value	
N/A	MAIN	SR	MAIN
Worst Pair	36-78	12-45	36-78
NEXT (dB)	9.5	8.8	9.6
Freq. (MHz)	239.0	207.5	241.0
Limit (dB)	35.7	36.7	35.6
Worst Pair	45	45	45
PS NEXT (dB)	10.6	9.8	10.6
Freq. (MHz)	250.0	250.0	250.0
Limit (dB)	32.7	32.7	32.7
PASS	MAIN	SR	MAIN
Worst Pair	12-45	12-45	12-45
ACR-F (dB)	14.2	14.2	14.9
Freq. (MHz)	5.5	5.3	250.0
Limit (dB)	49.4	49.8	16.2
Worst Pair	45	45	45
PS ACR-F (dB)	15.2	15.1	16.1
Freq. (MHz)	2.5	2.1	250.0
Limit (dB)	53.2	54.6	13.2
N/A	MAIN	SR	MAIN
Worst Pair	12-45	12-45	36-78
ACR-N (dB)	21.5	20.8	39.2
Freq. (MHz)	7.5	4.8	241.0
Limit (dB)	55.0	58.9	5.6
Worst Pair	45	45	45
PS ACR-N (dB)	22.4	22.1	40.9
Freq. (MHz)	5.1	4.8	250.0
Limit (dB)	56.1	56.6	2.0
N/A	MAIN	SR	MAIN
Worst Pair	36	36	36
RL (dB)	10.9	11.5	10.9
Freq. (MHz)	230.5	237.0	230.5
Limit (dB)	10.4	10.3	10.4

Compliant Network Standards:		
10BASE-T	100BASE-TX	100BASE-T4
1000BASE-T	2.5GBASE-T	5GBASE-T
ATM-25	ATM-51	ATM-155
100VG-AnyLan	TR-4	TR-16 Active
TR-16 Passive		

Project: DEFAULT

JKE18-XLB-UC6-UC6A(2018.08.008).flw



ORDER INFORMATION

Part No.	Description	Color	Inner Box	Carton	Carton measurement (L*W*H)	Weight
LKE118-C6U-A	Cat6 UTP Inline Coupler	Black	50PCS	500PCS	53cm× 31cm × 23cm	4.80KG

Ningbo Doppler Communication Co., Ltd.

No.86 Fengyi Road, Economic Development Zone, Yuyao Zhejiang 315400

Ningbo Doppler Communication Co. Ltd. reserves the right to change specifications without prior notice