



DESCRIPTION

Category 6A unshielded inline coupler exceeds the performance requirements of all CAT6A's components, conforms to the 10 Gigabit Ethernet application system, and is suitable for communication socket connection between equipment and work area, and can provide up to 500MHz of available bandwidth.

APPLICATION

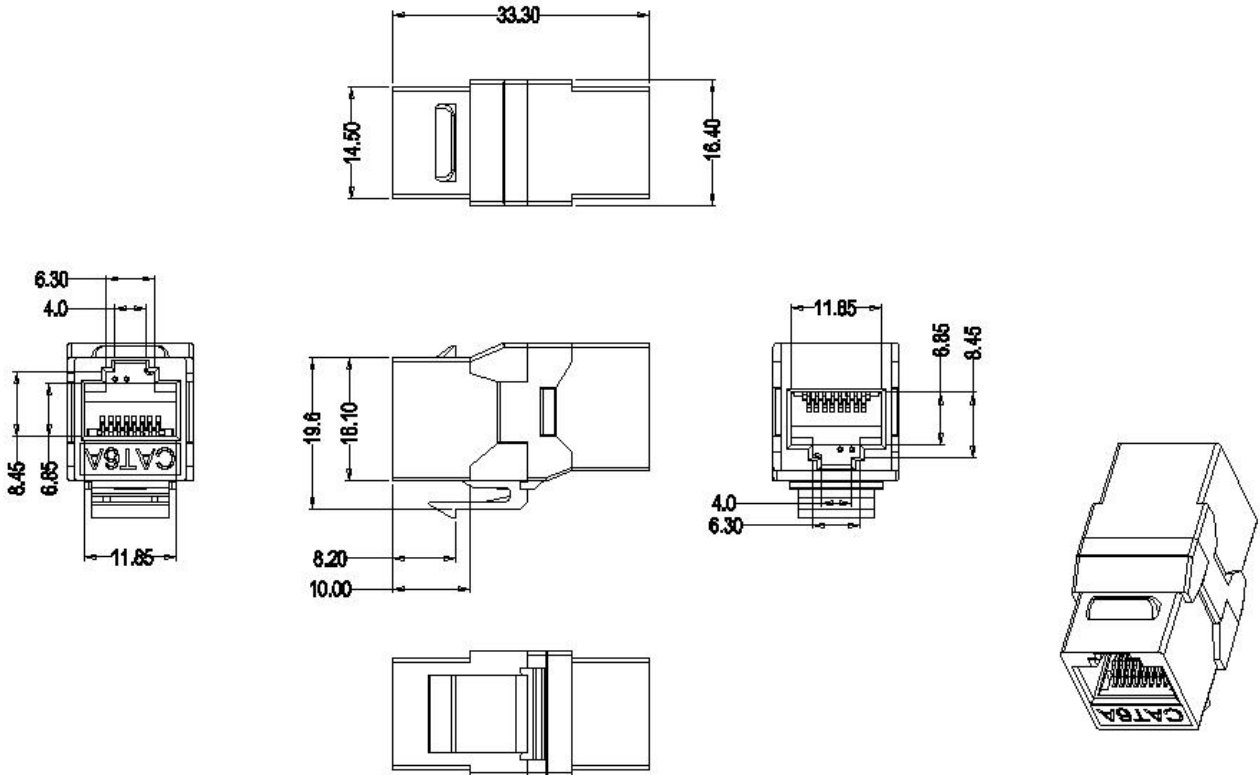
- Independent design, simple and beautiful and compact
- Unique PCB design, reduce interference, high margin
- End interface housing material is made of high strength PC material
- 50 μ " gold-plated layer with contact pin contact material for 1500 insertions
- System with backward compatibility with CAT6 and lower categories

Ningbo Doppler Communication Co., Ltd.

No.86 Fengyi Road, Economic Development Zone, Yuyao Zhejiang 315400

Ningbo Doppler Communication Co. Ltd. reserves the right to change specifications without prior notice

PRODUCT DIMENSION



CONSTRUCTION

<i>Description</i>	<i>Parameter</i>
Contact resistance(max)	20mΩ
Insulation resistance(min)	500MΩ
Return loss(dB)	4.2dB

Ningbo Doppler Communication Co., Ltd.

No.86 Fengyi Road, Economic Development Zone, Yuyao Zhejiang 315400

Ningbo Doppler Communication Co. Ltd. reserves the right to change specifications without prior notice

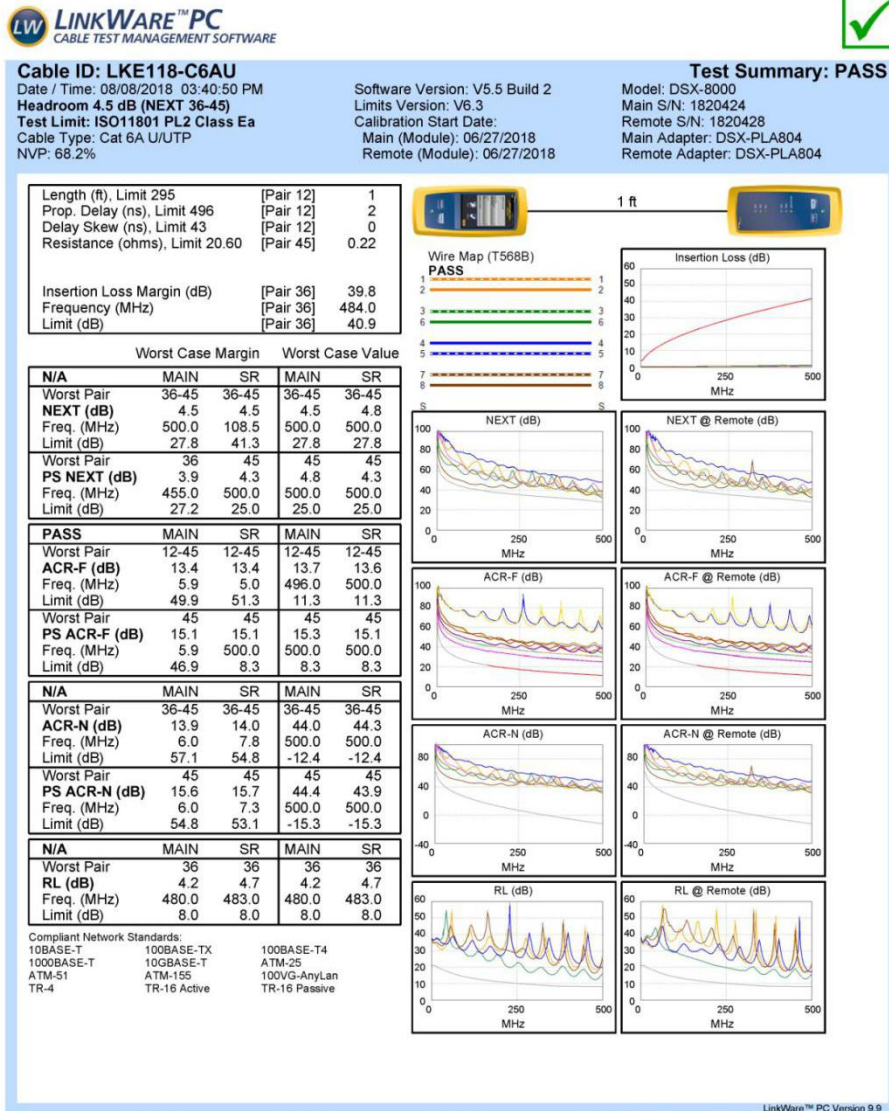
Cat6A UTP Inline Coupler



Product No: LKE118-C6AU-A Ver. 02/18

Product Specification.

PERFORMANCE



ORDER INFORMATION

Part No.	Description	Color	Inner Box	Carton	Carton measurement (L*W*H)	Weight
LKE118-C6AU-A	Cat6A UTP Inline Coupler	Black	50PCS	500PCS	53cm× 31cm × 23cm	4.80KG

Ningbo Doppler Communication Co., Ltd.

No.86 Fengyi Road, Economic Development Zone, Yuyao Zhejiang 315400

Ningbo Doppler Communication Co. Ltd. reserves the right to change specifications without prior notice